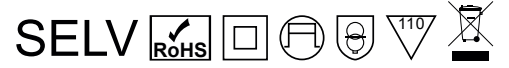




DI50015IND

Series 500mA C.C. Power Supply
Alimentatori C.C. serie 500mA

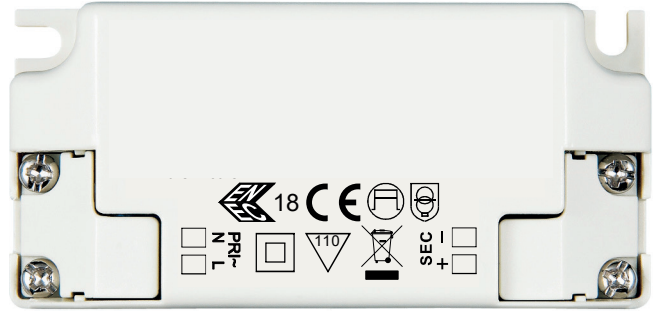


DC Output with constant current of 500mA

Ripple current $\pm 5\%$
Suitable for Class II luminaires
Compact case with strain reliefs for independent use
Average lifetime 50.000 h

Protection

- Short- & open circuit proof
- Auto. overheat regulation or cut off
- Overload protection
- SELV



Main technical data

Rated supply voltage	220–240 V	Operating ambient temp.	-20 – +50 °C
AC voltage range	198–264 V	Max. case temp. (tc)	85 °C
Mains frequency	50–60 Hz	Operating humidity	10–95 %
THD	< 15 %	Storage temperature range	-25 – +85 °C
Power factor	0.90 C	Max. number of switching cycles	> 100.000
Efficiency	84 %	Type of protection	IP20
Start delay	< 0.5 s	Environmental rating	Indoor
Protection class	II	Surge transient protection	1.0 kV (L–N)
Inrush current	9 A / 150 µs	Dimension (L x W x H)	85 x 40.4 x 22 mm
Output current tolerance	± 5 %		
Out. current LF ripple	± 5 %		
Output P_{st}^{LM}	≤ 1		
Output SVM	≤ 0.4		

Product technical data

Type	DI50015IND
Input current	85 mA
Output power	9–15 W
Output current	500 mA
Output voltage	18–30 Vdc
No load voltage	42 Vdc

All data for $U_{mains} = 230Vac$

Standards / Conformity

Safety	Performance	EMC	ECO-Design	RoHS
EN 61347-1 EN 61347-2-13 EN 62493	EN 62384	EN 55015 EN 61000-3-2 EN 61000-3-3 EN 61547	EN 62442-3	EN IEC 63000

Lifetime

Type	ta	40 °C	50 °C
G5S15WxxxLR-Z	tc	75 °C	85 °C
	Lifetime	100.000 h	50.000 h

According to the nominal operating conditions listed in the datasheet and a failure rate of less 10 %.

Miniature circuit breaker

Type	B10	B13	B16	B20	C10	C13	C16	C20	Inrush current
DI50015IND	38	50	61	77	38	50	61	77	9 A / 150 µs

Insulation

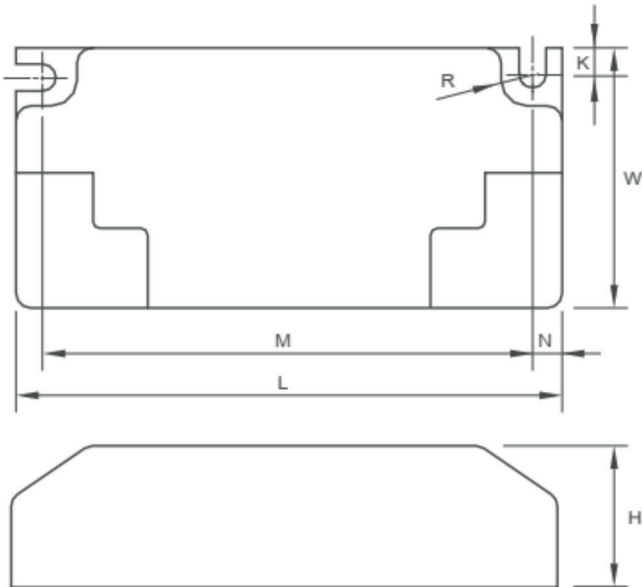
	Mains	LED Output	Case
Mains	-	Double / reinforced	Reinforced
LED Output	Double / reinforced	-	Basic
Case	Reinforced	Basic	-



DI50015IND

Series 500mA C.C. Power Supply
Alimentatori C.C. serie 500mA

Physical Parameter



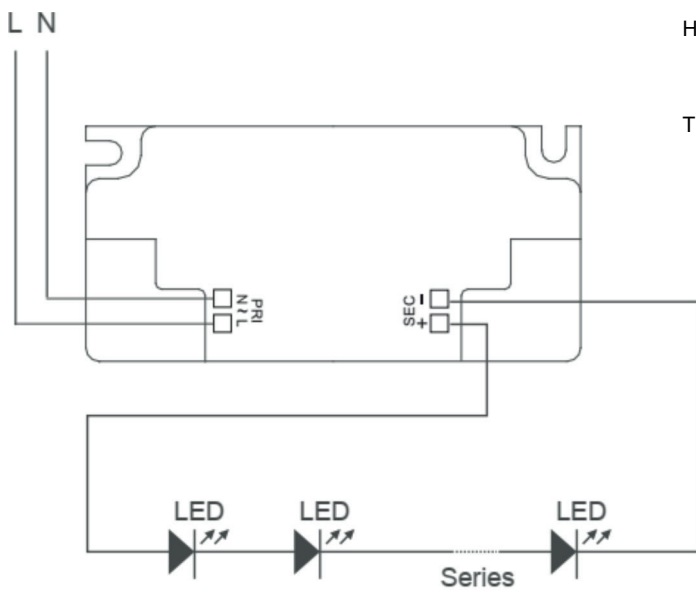
L:	85 mm	W:	40.4 mm	Tolerance:	
M:	76.4 mm	H:	22 mm	0~100	± 0.5 mm
N:	4.6 mm	R:	2.1 mm	100~	± 1 mm
K:	4.0 mm				

- Housing material: Polycarbonate
- Soldering: Lead-free, comply with RoHS
- Label: Surface print
- Weight: 66 g

Terminal Block Klemmblock

	Type	Cable cross section	Stripping
PRI	Screw terminal	0.75-1.5 mm ²	6 mm
SEC		0.5-1.5 mm ²	6 mm

Wiring diagram Anschaltbild



Hot plug-in or secondary switching is not permitted!

The maximum secondary wire length is 2 m.